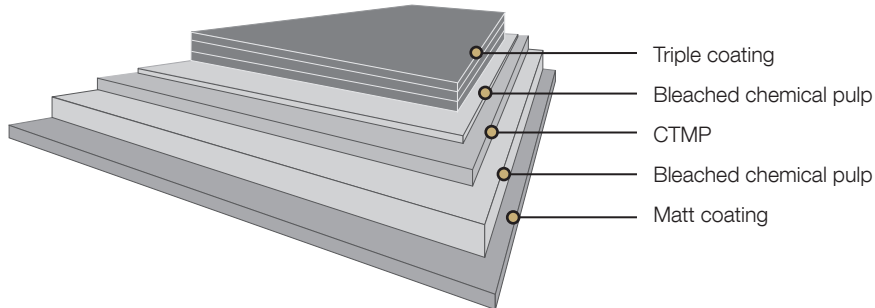


Kopparwhite Laser

Fully coated CTMP board with white coated reverse



Issued: 05.2013
Cancels:

Specifications for Kopparwhite Laser:

Property / Unit	Tolerance				Standards	
Grammage, g/m ²	+3%/-5%	180	200	210	220	ISO 536
Thickness, μm	±5%	255	295	310	325	ISO 534

All properties according to Fors Mill measurements.

Test climate 23°C/50% RH (according to ISO 187). Tolerances based upon 95 % confidence limits, apply to reel/pallet average. In order to verify, reel/pallet average shall be based on 5 single measurements randomly sampled within the reel/pallet. These averages will be for at least 19 of 20 reels/pallets within the specification limits.