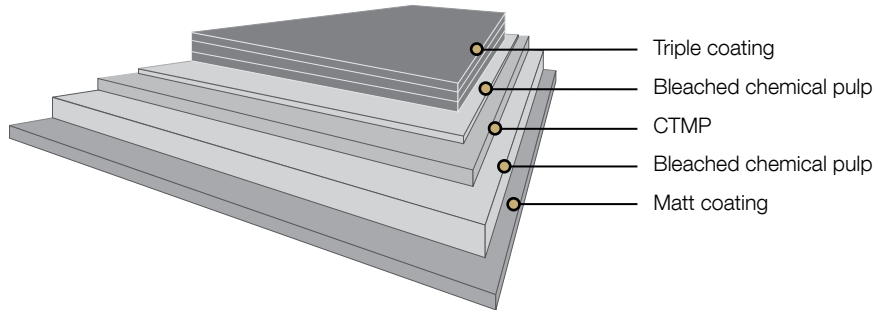


Kopparwhite

Fully coated CTMP board with coated reverse



Issued: 11.2011
Cancels: 03.2011

ISO 9001

Specifications for Kopparwhite:

Property / Unit	Tolerance					Standards
Grammage, g/m ²	+3%/-5%	180	200	210	220	ISO 536
Thickness, µm	±5%	255	290	305	320	ISO 534

All properties according to Fors Mill measurements.

Test climate 23°C/50% RH (According to ISO 187). Tolerances based upon 95 % confidence limits, apply to reel/pallet average. In order to verify, reel/pallet average shall be based on 5 single measurements randomly sampled within the reel/pallet. These averages will be for at least 19 of 20 reels/pallets within the specification limits.