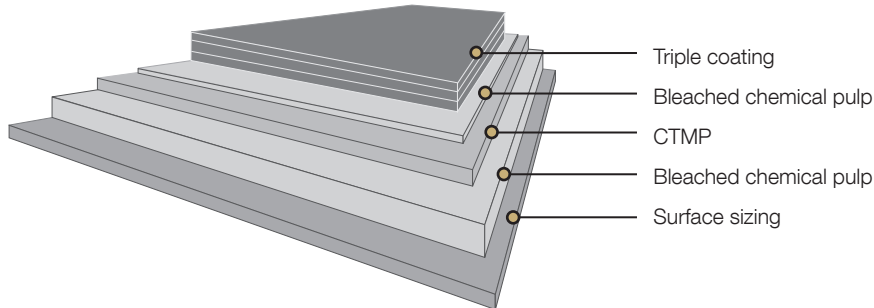


Fully coated CTMP board with uncoated reverse



Issued: 11.2013
Cancels:

Specifications for Kopparbright:

Property / Unit	Tolerance					Standards
Grammage, g/m ²	+3%/-5%	180	200	210	220	ISO 536
Thickness, μm	±5%	270	305	320	335	ISO 534
Bending moment Taber 15° MD, mNm	-15%	6.7	9.7	10.9	12.0	ISO 2493
Bending moment Taber 15° CD, mNm	-15%	2.5	3.4	3.9	4.3	
Bending resistance L&W 15° MD, mN	-15%	138	201	225	250	
Bending resistance L&W 15° CD, mN	-15%	49	71	81	90	
Moisture, %	±0.7	6.3	6.3	6.3	6.3	ISO 287
ISO Brightness C/2°, %, Top	min. 86	89	89	89	89	ISO 2470
ISO Brightness C/2°, %, Reverse	min. 80	82	82	82	82	
CIE Whiteness D65/10°, Top		118	118	118	118	ISO 11475
CIE Whiteness D65/10°, Reverse		100	100	100	100	
Surface Smoothness, PPS 10, μm	max. 1.3	0.9	0.9	0.9	0.9	ISO 8791-4
Gloss 75°, %		45	45	45	45	ISO 8254-1
Scott Bond, J/m ²	min. 80	120	120	120	120	TAPPI 569
Cobb 60, g/m ² , Top	max. 60	30	30	30	30	ISO 535
Cobb 60, g/m ² , Reverse	max. 60	30	30	30	30	

All properties according to Fors Mill measurements.

Test climate 23°C/50% RH (according to ISO 187). Tolerances based upon 95 % confidence limits, apply to reel/pallet average. In order to verify, reel/pallet average shall be based on 5 single measurements randomly sampled within the reel/pallet. These averages will be for at least 19 of 20 reels/pallets within the specification limits